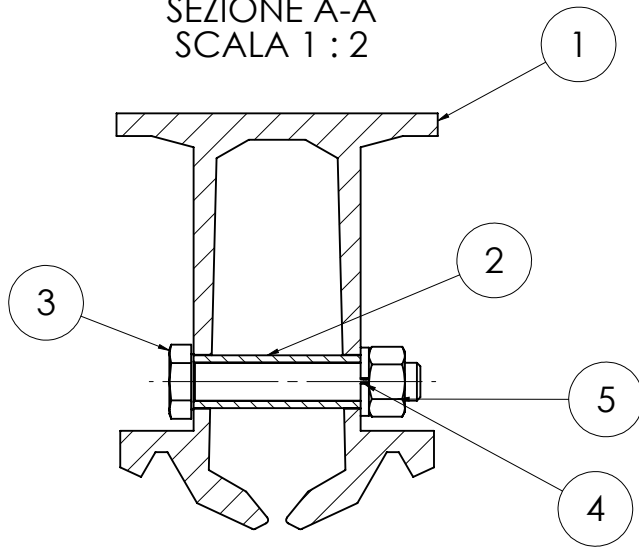


SEZIONE A-A
SCALA 1 : 2



POS.	DESCRIPTION	Q.TY	MATERIAL
1	Rigid catenary profile L 5000 mm	1	EN AW 6060 T6
2	Spacer	6	AISI 316
3	Hex screw M10x60 ISO 4017	6	A4-80
4	Spring washer B10 ISO 1751	6	A2
5	Normal nut M10 ISO 4032	6	A2

00	02/10/2017	First release	S. Luciani	F. Terrenzio	J. Anselme
Rev.	Date	Description	Drawn	Verified	Approved

Notes	1 - Dimensions in mm 2 - General tolerances: ± 0,2 mm
-------	--

Description	Transition bar	Article code	ITRO1112
		Process	
		Weight	22 kg ± 5%





www.OCS2.com

Scale 1:5 A4
Sheet 1/1

This drawing, the particulars and the contained information are property of ITRORAIL and OCS2. Any unauthorised reproduction and/or use are prohibited by law.